



vertical  
blinds  
specification sheet

*Luxaflex*<sup>®</sup>

WINDOW FASHIONS

[www.luxaflex.co.nz](http://www.luxaflex.co.nz)

# SPECIFICATION SHEET

Vertical Blinds are the most economical solution for large windows. It can cover surfaces up to 6m wide and 4m tall in one span.

For sloping and irregularly shaped windows, the Vertical Blind is often the only practical solution. In all situations it offers an unsurpassed ease of operation. By tilting the vanes, sunlight can be filtered efficiently, even without blocking the outside view.

## Colour range

There are 6 fabric ranges in the Vertical Blind collection, covering all colour spectrums.

The headrail is available in 3 standard colours:

- White (Powder coated)
- Ivory (Powder coated)
- Silver (Anodised)

Special powder coat finishes available on application.

## Applications

- Internal installations where heat, light and/or privacy control are required, e.g. offices, board rooms and common areas.
- Large windows - up to 24m<sup>2</sup>
- Sloping windows

## Fabric specification overview

All fabrics available in 100mm, most fabrics are also in 89mm widths.

127mm fabric is available on indent only.

Most Luxaflex® Vertical Blinds are 100% woven polyester or polymer coated glass fibre. Many are treated with Teflon® Fabric Protector and Sanitized® Antimicrobial Protection and Scotchgard®.

## Hardware specification overview

Hardware is constructed from extruded aluminium sections and hard-wearing UV resistant plastics.

## Durability

The colourfastness of the fabric is 6-7 Blue Scale (where maximum score is 7) (AS 2001.4.21).

The operating hardware is cycle tested to ensure long term durability.

## Energy benefits

The selection of light coloured or white backed fabrics will assist in maximising heat reflection and reducing cooling costs.

## Environmental and employee benefits

The adjustable light control function of Vertical Blinds means that the use of natural light in the workplace can be maximised, which is important for individual productivity and well being as well as reducing the need for artificial lighting.

Luxaflex® operates under an Environmental Management System that actively works towards waste and emission reduction and maximising the use of recycling.

Hunter Douglas Limited polyester fabrics do not emit VOCs (Volatile Organic Compounds).

## Fire retardant

Several Vertical Blind fabrics are suitable for use in Class 2-9 buildings except in Fire Isolated Exits, in accordance with the Building Code of Australia. Please ask about the fire properties of the fabric of your choice.

## Quality

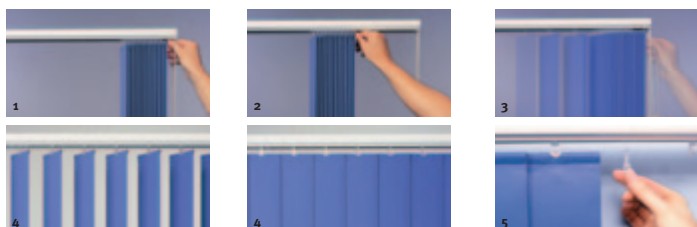
Hunter Douglas, the supplier of Vertical Blind fabrics and components to Luxaflex®, is a quality endorsed company, certified as complying with the requirements of AS/NZS ISO 9001:2000.



# SPECIFICATION SHEET

## Technical features – EOS® track

1. The narrow vane travellers are completely drawn against the end cap when the blind is opened, so that the vane stack is reduced to a minimum.
2. Slim and elegant design of the headrail and other visible components.
3. The vane stack can be moved to the opposite side of the track by releasing the end stop. Thus the vanes are not in the way when cleaning the window.
4. Extremely smooth operation even on the largest blinds.
4. Vanes are always equally spaced and guaranteed to hang straight and parallel, due to patented 'self-alignment' mechanism in the slat traveller.  
Even when a vane is brought out of line it is automatically restored to its original position when operated.
5. Damaged hooks are easy to replace without dismantling the headrail.



## Track construction

The EOS® Tracking System is an extruded aluminium alloy section 45mm deep by 25mm high. A clutch mechanism is incorporated to turn the slats and prevent damage to the mechanism.

## Fabric construction

Available in 100mm, 89mm and 127mm slat widths.

Most Luxaflex® Vertical Blind fabrics are 100% woven polyester or polymer coated glass fibre. Many are treated with Teflon® Fabric Protector and Sanitized® Antimicrobial Protection.

## Options

### Slat finishing

3 options are available:

- Traditional finishing with weights and chains.
- 'Earless' weights without chains.
- Fully sewn-in weights (surcharge applicable).



### Track colours

A range of 3 track colours are available ex-stock. Colours are White, Ivory and Silver. Custom colours are available on application.

### Pelmets & track finishing

Tracks may be finished with the inserts to co-ordinate with fabric (2), self finished utilising the EOS® Tracking System round front profile (1) or covered by a Portico Valance with fabric insert.(3).



## Sloping windows

EOS® Vertical Blinds can be manufactured to fit a variety of sloped window shapes and can incorporate cut-outs to accommodate stepped windows, air conditioning units and other obstructions.



*Luxaflex*®

WINDOW FASHIONS

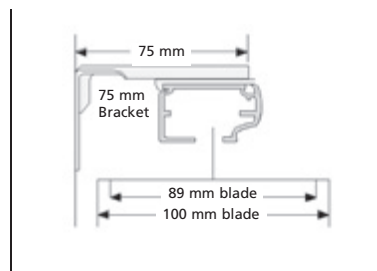
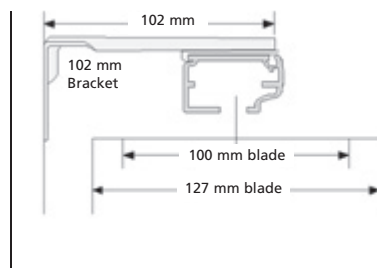
www.luxaflex.co.nz

# SPECIFICATION SHEET

## EOS system

### Dimensions

<b>Slat width</b>	<b>100 mm</b>	<b>127 mm</b>	
Minimum Width	300 mm	300 mm	
Maximum Width	4500 mm	6000 mm	
Maximum Drop	4000 mm	4000 mm	
Maximum Area	18 m <sup>2</sup>	24 m <sup>2</sup>	
<b>Sloping</b>	<b>Maximum width</b>	<b>Maximum drop</b>	<b>Maximum area</b>
00 - 20 degrees	5000 mm	4000 mm	15 m <sup>2</sup>
20 - 30 degrees	4500 mm	3000 mm	10 m <sup>2</sup>
30 - 40 degrees	3500 mm	2750 mm	06 m <sup>2</sup>
40 - 55 degrees	2500 mm	2500 mm	03 m <sup>2</sup>
<b>Reveal depth</b>	<b>85 mm</b>	<b>100 mm</b>	
<b>Fully recessed boxmount</b>	<b>110 mm</b>	<b>140 mm</b>	
<b>Bracket size on face fix</b>	<b>75 mm</b>	<b>102 mm</b>	
<b>Minimum surface mount on face</b>	<b>50 mm</b>	<b>50 mm</b>	
<b>Slat overlap</b>	<b>12 mm</b>	<b>12 mm</b>	
<b>Light Gaps (not including deductions)</b>			
- Idle end	2 mm	2 mm	
- Control end	10 mm	10 mm	
<b>Pelmets</b>			
- Returns	130 mm	155 mm	
- Maximum width with returns	4740 mm	4690 mm	
<b>Stack calculations</b>	<b>((width/88] x 8) +20</b>	<b>((width/115] x 8) +20</b>	

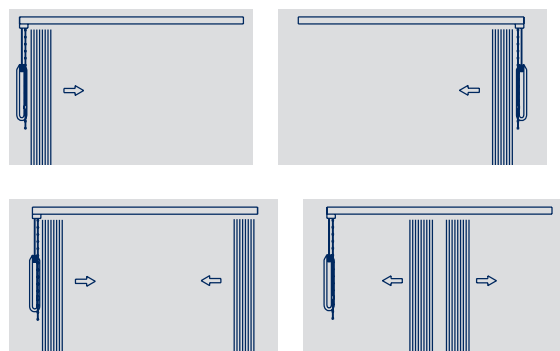


## Sloping headrail

Maximum slope is 53°. As illustrations show, the bottom line of the blind can also be fitted to the shape of the window, or around a built-in cooling unit etc.



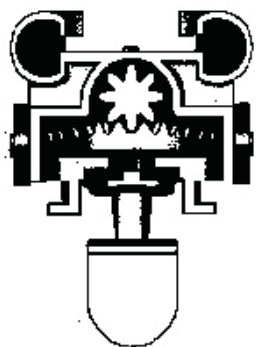
## Stack options



## Specification templates

Product Name	EOS® Vertical Blinds
Fabric	The fabric shall be Hunter Douglas ... fabric which is manufactured from woven Polyester/Polyester coated fibreglass. The slats shall be able to be easily detached from the slat traveller and the stack shall be easily unclipped to traverse across the track.
Fabric treatment	(If applicable - check fabric specification for details and strike out treatments that are not applicable.) Fabric shall be treated with Teflon® Fabric Protector and Sanitized® Antimicrobial Protection.
Slat width	89mm/100mm/127mm
Track	The track shall be the Hunter Douglas EOS® Tracking System, using extruded aluminium alloy AA6063 T5 section 45 mm deep by 25mm high with wall thickness 1.1mm.
Track colour and finishing	The track colour shall be ..... and shall be finished with insert to co-ordinate with fabric/self finished round front profile/aluminium pelmet with fabric insert.
Slat finishing	Bottom slats shall have weight chains/chainless weights/sealed pockets.
Slat hooks	Slat hooks shall be removable, without the need to disassemble the track.
Slat weights	Weights with ears: Ears must bend back towards body through at least 45 degrees without cracking.
Slat travellers	The track shall contain the patented self-aligning mechanism to ensure vanes realign if disturbed. Slats shall be equally spaced.
Clutch	The Vertical Blind shall contain the EOS® Worm Gear Clutch Mechanism.

# SPECIFICATION SHEET



## Techno system

Vertical Blinds are the ideal window covering in any office, work room or public building, both from the decorative and the functional point of view. No other product combines as many features and practical advantages.

The Vertical Blind is the most economic solution for large windows. It can cover surfaces up to 4 m width and 4 m drop in one span.

If necessary, two blinds can be mounted next to each other with an overlap, so that the interruption is totally invisible. In all situations it offers an unsurpassed ease of operation. Vertical blinds are easy to open and close. By tilting the vanes the sunlight can be filtered efficiently, even without blocking the outside view.

Although primarily used for window coverings, Vertical Blinds may also serve as room dividers.

The Luxaflex® Collection offers vertical vanes in textiles in a vast range of colours, textures and finishes, suitable for all design requirements in offices, reception rooms, conference rooms and dining areas.

## The Luxaflex® collection

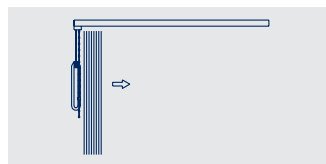
Fabrics are available in a wide variety of qualities and colours in 100 mm widths. The programme includes fire-retardant glass fibre and polyesters.

Luxaflex® offers fabrics in degrees of transparencies from semi-transparent, to opaque and block-out, so that the light can be controlled to any required degree.

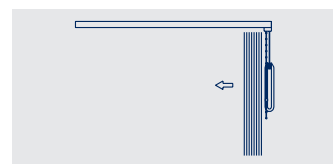
At the heart of the Techno Trak design is the runner, which consists of three parts; the housing, the hook and the rollers. The head of the hook has a curved gear profile, which enables it to be driven directly by the aluminium tilt rod. It is this direct drive mechanism that differentiates Techno Trak from conventional Vertical Blind headrails.

## Technical features

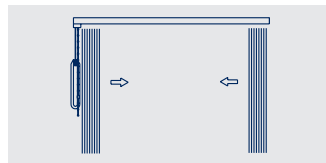
- Vertical Blind headrail system to be Techno Trak consisting of powder coated aluminium headrail 30mm wide x 27mm high, fitted with wheeled runners, connected by Derlin spacer links.
- Runners are to be self-aligning, with a curved gear profile which is driven directly by the aluminium tiltrod.
- The runner's clutch mechanism prevents over-rotation of runner hooks. These hooks are capable of at least 180° rotation. Runner hooks are capable of being removed from the runner housing (to facilitate replacement) without dismantling the Vertical Blind headrail.
- With Techno Track it is impossible to get a louvre which stands still while the rest of the blind rotates, due to the ingenious design of the runner.



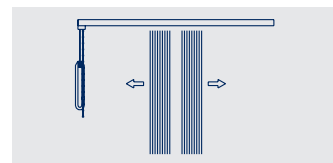
Left stack



Right stack



Split stack or double draw



Middle or centre stack

- You never get light gaps with Techno Track as it is designed to rotate louvres through more than 180°.
- You can hear and feel the difference when opening and closing a Techno Track blind, due to the system's special linking arrangement.
- Headrail available in white, cream and silver.

## Control options

Operating systems for the vertical blind:

- Chain tilt and cord draw
- Wand tilt and draw

### Standard control



### Optional wand tilt & draw



**Luxaflex®**

WINDOW FASHIONS

www.luxaflex.co.nz

# SPECIFICATION SHEET

## Techno system

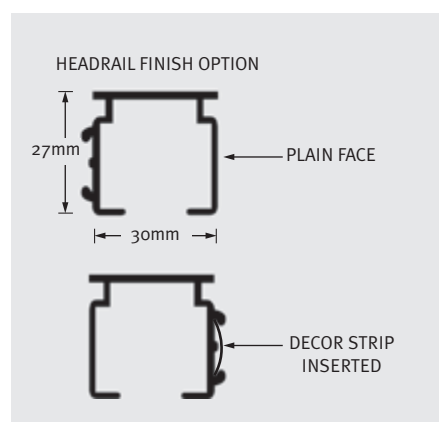
### Sloping head rail

No specialty or sloping blinds available in this system.  
Headrail Colours - White, Ivory & Silver.

### Options and limitations

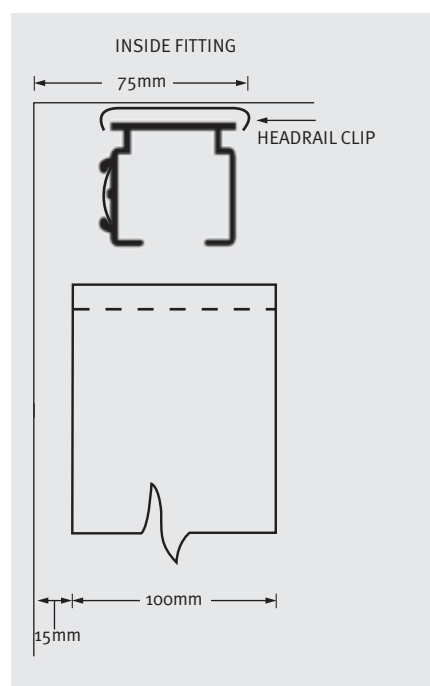
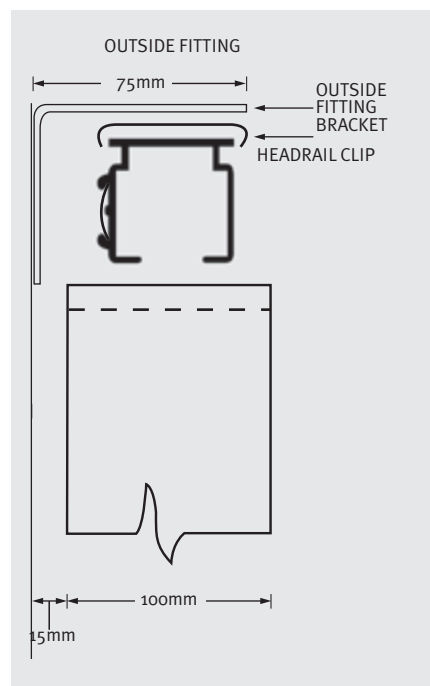
<b>Slat width</b>	89mm	100 mm	127 mm
Minimum Width	200 mm	200 mm	200 mm
Maximum Width	4000 mm	4000 mm	5000 mm
Maximum Drop	4000 mm	4000 mm	4000 mm
Maximum Area	16 m <sup>2</sup>	16 m <sup>2</sup>	20 m <sup>2</sup>
<b>Reveal depth</b>	70 mm	75 mm	90 mm
<b>Fully recessed boxmount</b>	100 mm	110 mm	140 mm
<b>Bracket size on face fix</b>	75 mm	75 mm	102 mm
<b>Minimum surface mount on face</b>	50 mm	50 mm	50 mm
<b>Slat overlap</b>	12 mm	12 mm	12 mm
<b>Light gaps</b> (not including deductions)			
- Idle end	2 mm	2 mm	2 mm
- Control end	12 mm	12 mm	12 mm
<b>Pelmets - portico</b>	4000 mm	4000 mm	5000 mm

### Headrail finish options



## Installation – techno trak

### Dimensions



*Luxaflex*<sup>®</sup>

WINDOW FASHIONS

www.luxaflex.co.nz



*Luxaflex*<sup>®</sup>

WINDOW FASHIONS

[www.luxaflex.co.nz](http://www.luxaflex.co.nz)

Luxaflex<sup>®</sup> is a division of New Zealand Window Shades Ltd. Luxaflex<sup>®</sup> is a registered trade mark of New Zealand Window Shades Ltd.

New Zealand Windows Shades Limited, 2 - 6 Niall Burges Road, Mt Wellington, Auckland, New Zealand.  
PO Box 12 785, Penrose, Auckland 1642. Telephone 0800 223 224, Facsimile 0800 843 857